



VIPA System 200V Compact PC 288 for installation on DIN-rails

VIPA
Gesellschaft für Visualisierung
und Prozessautomatisierung mbH

Ohmstr. 4
91074 Herzogenaurach
Germany
Tel.: +49-9132-744-0
Fax: +49-9132-744-144
www.vipa.de
info@vipa.de

Compact PC 288

PCs are used on an increasing scale for centralized and decentralized control applications.

The PC 288 offers the performance of a 486 DX processor with 66MHz in a compact enclosure.

This PC can be combined with all I/O, function assemblies or communication modules.

Machine/plant-wide controllers can be implemented as stand-alone systems or in Ethernet/Profibus networks.

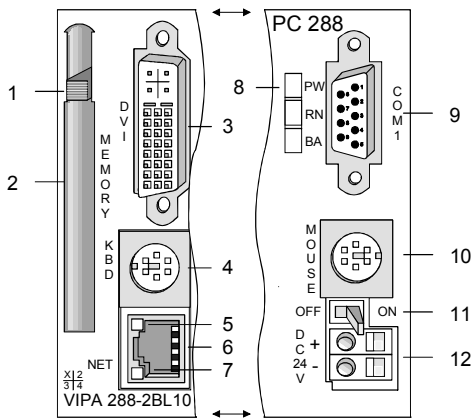
Features

The compact PC 288 has the following properties:

- 486 compatible
- 32MB DRAM/8MB FLASH ROM
- Fast Ethernet-interface 10/100MBit
- PS2-interface for keyboard and mouse
- RS232/485 interface
- DVI-interface for analog and digital displays with a max. resolution of 1280x1024pixel
- up to 1GByte external memory
- (Micro HDD) CFII interface



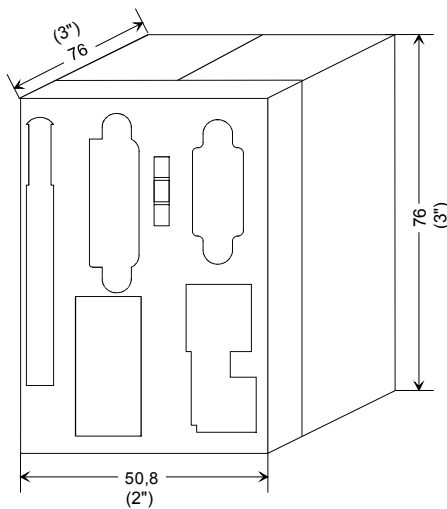
Front view:



Indicators / controls / connectors:

- [1] Eject button for Compact Flash®
- [2] Slot for Compact Flash
- [3] DVI interface for screen/TFT
- [4] PS2 socket for a keyboard
- [5] LED activity indicator Ethernet
- [6] RJ45 socket for Ethernet
- [7] LED data rate 100MBit
- [8] LEDs status indicator
- [9] 9pin serial interface
- [10] PS2 socket for a mouse
- [11] on/off power switch
- [12] Connector for 24V DC power supply

Dimensions:



all dimensions in mm / (inches)

Technical data		PC 288
<p>PC 288 CPU DRAM/Flash Ram</p> <p>Operating system User interface Peripheral interface</p>	<p>STPC Industrial 486 DX/66MHz 32MB/8MB</p> <p>DOS programmable in C++, open source DPRAM and separate controller</p>	
<p>Interfaces VIDEO interface</p> <p>COM 1 Keyboard/Mouse Controller Ethernet Compact Flash Slot</p>	<p>DVI connector analog/digital (Panel-Link) selectable RS232/485/422 PS2 Intel 82 559 IR RJ45 Twisted Pair 10/100MBit Type II ext. memory up to 1GB</p>	
<p>Electrical data Rated voltage Current consumption Dissipation</p>	<p>24V DC 0.3A 7W</p>	
<p>Operating conditions Ambient temperature Storage temperature Relative humidity Protection class</p>	<p>0°C...+60°C -20°C...+85°C 90 % without condensation IP 20</p>	
<p>Dimensions and weight Widthxheightxdepth Weight</p>	<p>50.8x76x80 (mm) 250g</p>	
<p>Ordering details PC 288 COMPACT Flash Socket type II ; 96MB HDD; 340MB HDD; 1GB</p>	<p>VIPA 288-2BL10 VIPA 950-1KS00 VIPA 950-1KH00 upon request</p>	