



VIPA System 200V – Compact digital input/output modules

Compact digital input/output modules

The compact digital inputs and outputs or input/output modules provide peripheral expansion capabilities to the System 200V.

The modules have 16 or 32 isolated channels. The status of every channel is displayed by means of an LED.

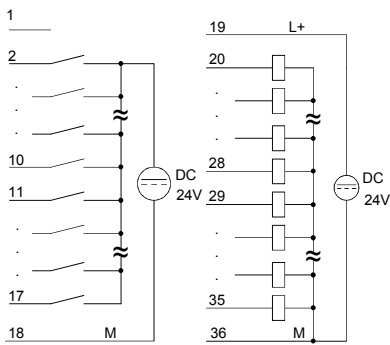
Features / properties

The following properties distinguish the digital input/output module:

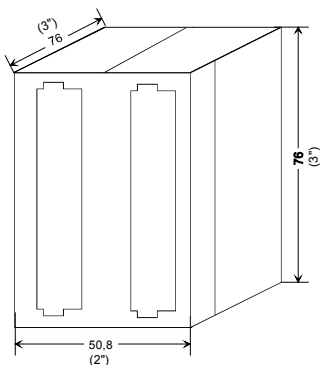
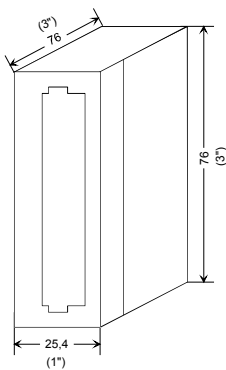


- 16 or 32 isolated channels
- Rated input voltage 24V DC
- Supply voltage 24V DC (external) for outputs
- Output current capacity: 1A per channel
- Max. total output current max. 10A per connector strip
- LED channel status indicator
- LEDs for overload, over-temperature or short circuit error indication
- Spring cage terminals for signal cables of up to 1.5mm²
- TS 35 mounting rail installation
- Simple expansion via back-panel bus connector

Wiring diagram:

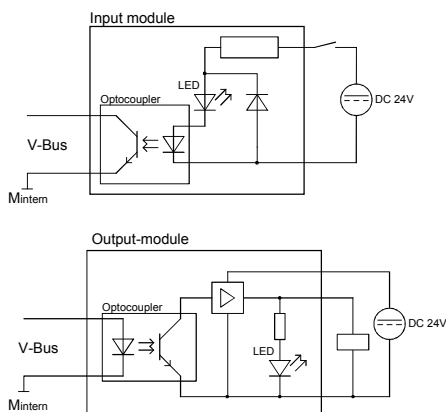


Dimensions:



all dimensions in mm/(inches)

Block diagram:



Technical data	SM221	SM222	SM223
Electrical data No. of inputs No. of outputs Signal voltage "0" Signal voltage "1" Input filter delay Input current Rated input voltage Rated load voltage Current consumption at L+ without load (all A.x off) Output current per channel Total max. current per multi-way connector Supply voltage via back panel bus Current consumption via back panel bus Isolation (field voltages to back panel bus)	16/32 0...5V 15...28.8V 3ms 7mA typ. 24VDC 24VDC 10/15mA 1A max. 10A 5V 30/50mA 500Veff	16/32 0...5V 15...28.8V 3ms 7mA typ. 24VDC 24VDC 10mA 1A max. 10A 5V 80/140mA 500Veff	16 16 0...5V 15...28.8V 3ms 7mA typ. 24VDC 24VDC 10mA 1A max. 10A 5V 100mA 500Veff
Status indicator input LED (green) .07 (per byte)	LED on the front E.0 to E.7.for the respective byte With a signal-level "1" (from app. 15V) or active output the respective LED is turned on.		
Output LED (yellow) L+ LED (green) .07 (per byte)	Supply voltage available A.0 to A.7 for the respective byte When an output is active the respective LED is turned on.		
LED (red) F	Overload, over-temperature or short circuit error		
Connections	18-pole/2x18-pole plugs Spring-cage terminals up to 1.5mm ²		
Dimensions and weight Width x Height x Depth Weight	25.4/50.8x76x76 (mm) 50g/100g		
Ordering details 16 channels 32 channels	VIPA 221- 1BH10 2BL10	VIPA 222- 1BH10 2BL10	VIPA 223- 2BL10