



VIPA System 200V - Compact PLC CPU 214/215/216NET for STEP 7 from Siemens

Compact PLC CPU 214/215/216NET

The compact PLC CPUs of the series 214/215/216NET with the RJ45 Twisted Pair interface for **Ethernet** are components of the System 200V concept.

These products widen the scope of applications of the System 200V to include those applications that are programmed by means of STEP 7 from Siemens.

In addition to the VIPA WinPLC7 programming software the user can also utilize other tools that are available on the open market.

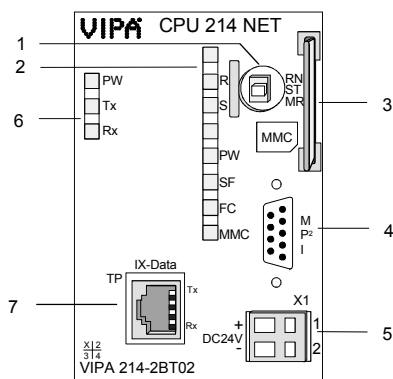
Features / properties

The following properties distinguish the compact CPUs 214/215/216NET:

- Instruction set compatible with S7-300 from Siemens (except for CPU 318)
- MP²I interface: MPI (8 stat./8 dyn. connections) or serial point-to-point connections to a PC
- RJ45 Twisted Pair connector
- Data rate of up to 100 messages/sec
- Real-time clock with battery backup
- Typ. cycle time 0.18/0.78ms/kB
- Ext. memory (MMC) for storage of programs /data/source code/commentaries
- OPC Server available



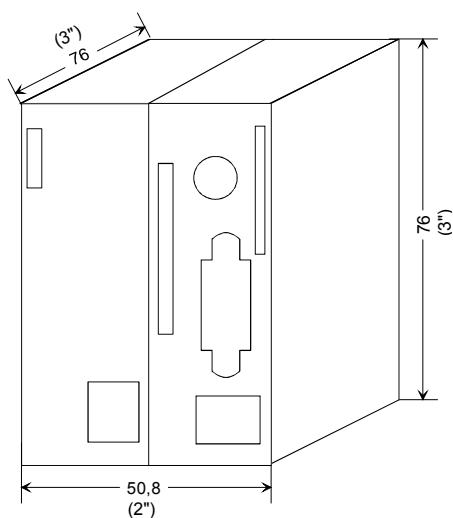
Front view:



Indicators / controls / connectors:

- [1] Operating mode selector switch RUN/STOP/RESET
- [2] LED status indicators
- [3] Socket for MMC memory card
- [4] MP²I interface
- [5] Connector for 24V DC power supply
- [6] LED Status indicator Ethernet
- [7] RJ45 Twisted Pair interface for Ethernet

Dimensions:



all dimensions in mm/(inches)

Technical data	CPU 214NET	CPU 215NET	CPU 216NET
Electrical data			
Supply voltage	24V DC	24V DC	24V DC
int. current consumption	380mA	380mA	380mA
max. current consumption	1.5A	1.5A	1.5A
System data			
Memory	48kB	96kB	128kB
Load memory	80kB	144kB	192kB
External memory	MMC	MMC	MMC
Battery-backup/clock	yes/real-time	yes/real-time	yes/real-time
Bit memory	2048	2048	2048
Timers/Counters	256/256	256/256	256/256
Addressable I/O			
digital channels	1024	1024	1024
analog channels	128	128	128
typ. cycle time bit/word (ms/k answ.)	0.18/0.78	0.18/0.78	0.18/0.78
Ethernet interface			
Connector	RJ45		
Network topology	Star topology with a max. of 2 hubs per segment		
Rate of transfer	10Mbit		
Overall length	max. 100m per segment		
Operating conditions			
Operating temperature	0°C...+60°C		
Storage temperature	-25°C...+70°C		
Relative humidity	5...95% without condensation		
Vibration/shock immunity	in acc. w. IEC 60068-2-6/IEC 60068-2-27 (1G/12G)		
EMV/BURST/ESD	in acc. with IEC 61000-2/IEC 61000-4 (to level 3)		
Dimensions and weight			
Width x height x depth	50.8x76x80 (in mm incl. controls)		
Weight	150 g		
Ordering details	VIPA 214-2BT02	VIPA 215-2BT02	VIPA 216-2BT02
Accessories			
MMC	VIPA 953-0KX10		
Green Cable	VIPA 950-0KB00		
WinPLC7	VIPA SW871		
Parameterize SW WinNCS	VIPA SW880		
Manual	VIPA HB103e		