



## VIPA System 200V - Compact PLC CPU 214/215/216DP for STEP 7 from Siemens

### Compact PLC CPU 214/215/216DP

The compact PLC CPUs of the series 214/215/216DP which are provided with an **integrated Profibus-DP-slave** are components of the System 200V concept.

These products widen the scope of applications of the System 200V to include those applications that are programmed by means of STEP 7 from Siemens.

In addition to the VIPA WinPLC7 programming software the user can also utilize other tools that are available on the open market.

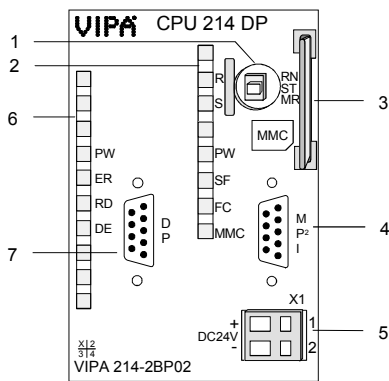
### Features / properties

The following properties distinguish the compact CPUs 214/215/216DP:

- Instruction set compatible with the Siemens S7-300 (except for 318)
- MP<sup>2</sup>I interface: MPI (8 stat./8 dyn. connections) or serial point-to-point connections to a PC
- Integrated Profibus-DP-slave
- Real-time clock with battery backup
- Typ. cycle time 0.18/0.78ms/kB
- Ext. memory (MMC) for storage of programs /data/source code/commentaries
- Status LEDs for Profibus status and diagnostics



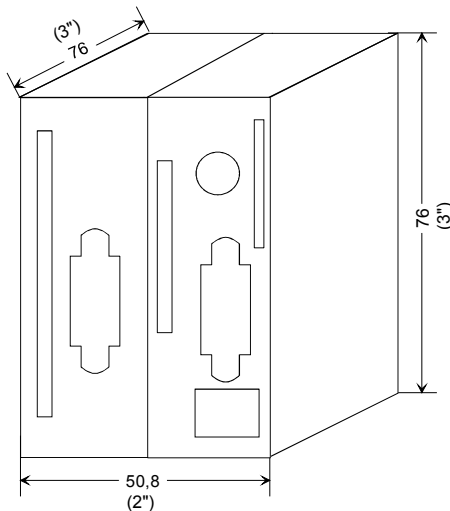
**Front view:**



**Indicators / controls / connectors:**

- [1] Operating mode selector switch RUN/STOP/RESET
- [2] Diagnostic LED
- [3] Socket for MMC memory card
- [4] MP<sup>2</sup>I interface
- [5] Connector for 24V DC power supply
- [6] Diagnostic LED Profibus
- [7] Profibus interface

**Dimensions:**



all dimensions in mm/(inches)

Technical data	CPU 214DP	CPU 215DP	CPU 216DP
<b>Electrical data</b> Rated voltage Int. current consumption Max. current consumption	24V DC 380mA 1.5A	24V DC 380mA 1.5A	24V DC 380mA 1.5A
<b>System data</b> Work memory Load memory -external memory Battery-backup/clock Bit memory Timers/Counters Addressable I/O digital channels analog channels typ. cycle time bit/word (ms/k answ.)	48kB 80kB MMC yes/real-time 2048 256/256 1024 128 0.18/0.78	96kB 144kB MMC yes/real-time 2048 256/256 1024 128 0.18/0.78	128kB 192kB MMC yes/real-time 2048 256/256 1024 128 0.18/0.78
<b>Profibus</b> Interface Rate of transfer	9-pin D-type socket 9.6 Kbaud to 12Mbaud		
<b>Operating conditions</b> Operating temperature Storage temperature Relative humidity Vibration/shock immunity EMV/BURST/ESD	0°C...+60°C -25°C...+70°C 5...95% without condensation in acc. w. IEC 60068-2-6/IEC 60068-2-27 (1G/12G) in acc. with IEC 61000-2/IEC 61000-4 (to level 3)		
<b>Dimensions and weight</b> Width x height x depth Weight	50.8x76x80 (in mm incl. controls) 150 g		
<b>Ordering details</b>	VIPA 214-2BP02	VIPA 215-2BP02	VIPA 216-2BP02
<b>Accessories</b> MMC Green Cable WinPLC7 Manual	VIPA 953-0KX10 VIPA 950-0KB00 VIPA SW871 VIPA HB103E		