



VIPA System 200V - Compact PLC CPU 214/215/216 for STEP 7 from Siemens

Compact PLC-CPU 214/215/216

The compact PLC-CPU's of the series 214/215/216 are components of the System 200V concept.

These products widen the scope of applications of the System 200V to include those applications that are programmed by means of STEP 7 from Siemens.

In addition to the VIPA WinPLC7 programming software the user can also utilize other tools that are available on the open market.

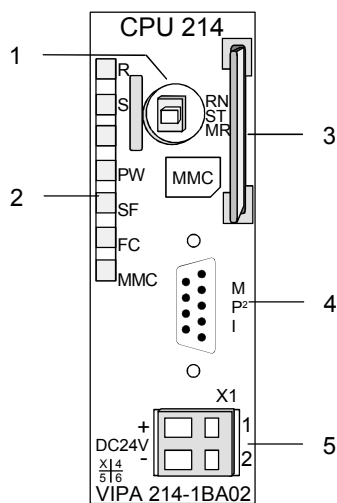
Features / properties

The following properties distinguish the compact CPUs 214/215/216:

- Instruction set compatible with S7-300 from Siemens (except for CPU 318)
- MP²I interface: MPI (8 stat./8 dyn. connections) or serial point-to-point connections to a PC
- Real-time clock with battery backup
- Typ. cycle time 0.18/0.78 ms/kB
- Ext. memory (MMC) for storage of programs /data/source code/commentaries



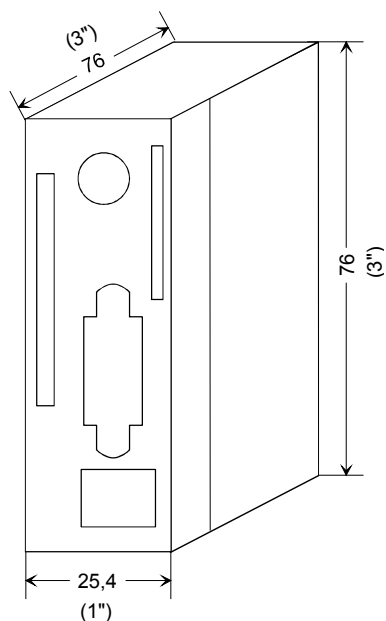
Front view:



Indicators / controls / connectors:

- [1] Operating mode selector switch RUN/STOP/RESET
- [2] Diagnostic LED
- [3] Socket for MMC memory card
- [4] MP²I interface
- [5] Connector for 24V DC power supply

Dimensions:



all dimensions in mm / (inches)

Technical data	CPU 214	CPU 215	CPU 216
Electrical data Supply voltage Int. current consumption Max. current consumption	24V DC 300mA 1.5A	24V DC 300mA 1.5A	24V DC 300mA 1.5A
System data Work memory Load memory External memory Battery-backup/clock Bit memory Timers/Counters Addressable I/O digital channels analog channels typ. cycle time bit/word (ms/k answ.)	48kB 80kB MMC yes/real-time 2048 256/256 1024 128 0.18/0.78	96kB 144kB MMC yes/real-time 2048 256/256 1024 128 0.18/0.78	128kB 192kB MMC yes/real-time 2048 256/256 1024 128 0.18/0.78
Operating conditions Operating temperature Storage temperature Relative humidity Vibration/shock immunity EMV/BURST/ESD	0°C...+60°C -25°C...+70°C 5...95% without condensation in acc. w. IEC 60068-2-6/IEC 60068-2-27 (1G/12G) in acc. with IEC 61000-2/IEC 61000-4 (to level 3)		
Dimensions and weight Width x height x depth Weight	25.4x76x80 (in mm incl. controls) 80g		
Ordering details	VIPA 214-1BA02	VIPA 215-1BA02	VIPA 216-1BA02
Accessories MMC Green Cable WinPLC7 Manual	VIPA 953-0KX10 VIPA 950-0KB00 VIPA SW871 VIPA HB103E		