



## VIPA OPC-Server

VIPA  
Gesellschaft für Visualisierung  
und Prozessautomatisierung mbH

Ohmstr. 4  
91074 Herzogenaurach  
Germany  
Tel.: +49-9132-744-0  
Fax: +49-9132-744-144  
www.vipa.de  
info@vipa.de

### VIPA OPC-Server

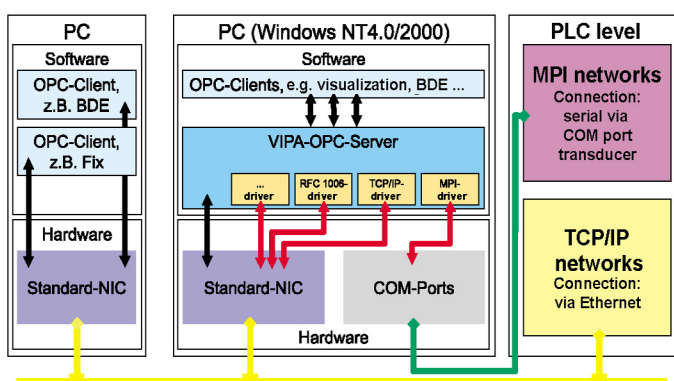
The VIPA OPC-Server serves as worldwide standardized interface for the data access of OPC-Clients on PLC systems of different manufacturers.

The current version of the OPC-Server supports TCP/IP networks via standard network boards as well as MPI networks that are connected with the computer via one or more COM ports and a MPI serial transducer.

A MPI driver license is included together with the OPC-Server to the consignment of the VIPA Slot-PLC.

### Features / Properties

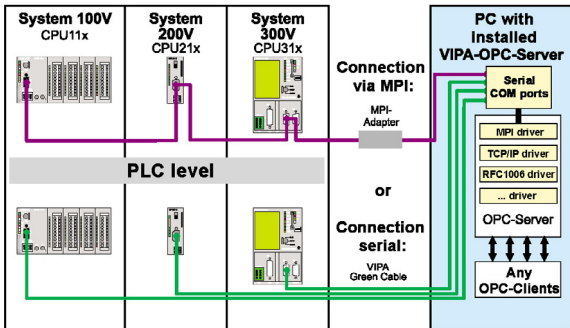
The OPC-Server is characterized by the following properties:



- Standardized interface between hardware controls and software applications of different manufacturers acc. To OPC Data Access V1.0 and V2.0
- Operating under Windows NT4.0/2000/XP
- Modular driver connection (MPI, TCP/IP, IPK or RFC1006)
- Integrated simulation mode for more comfortable project engineering
- Project engineering via OPC editor, independent from OPC-Server possible
- OPC-Client testing software in consignment

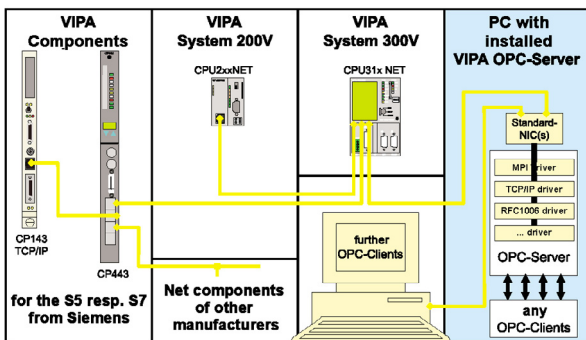
# OPC-Server

## OPC-Server connection via MPI driver



- Connection via MPI adapter (COM port transducer) to VIPA CPUs with MP2Interface or PLC CPUs of other manufacturers with MPI
- Connection via VIPA GreenCable (serial point-to-point) to VIPA CPUs with MP2Interface
- Remote connection of other OPC-Clients via standard network board/Ethernet possible

## OPC-Server connection via TCP/IP driver (Read/Write)



- Connection via standard network board / Ethernet to components supporting the concerning protocol
- No special network board necessary for RFC1006
- Remote connection of other OPC-Clients via standard network board/Ethernet possible

<p><b>Order data</b></p> <p>VIPA SW860M  VIPA SW860T  VIPA SW860R  VIPA SW810</p>	<p>VIPA MPI driver license  VIPA TCP/IP driver license (Read/Write)  VIPA RFC1006 driver license *  OPC-Server (Demo-Version, driver license releasable)</p> <p>Company licenses at request</p>
---	---

\*) delivery times at request